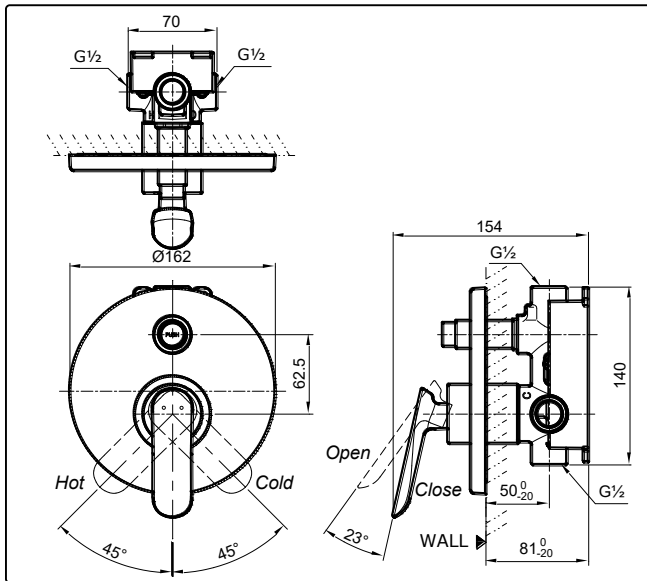


SPECIFICATIONS



OPERATING CONDITIONS

1. Water supply pressure : 0.05 ~ 0.75 MPa.

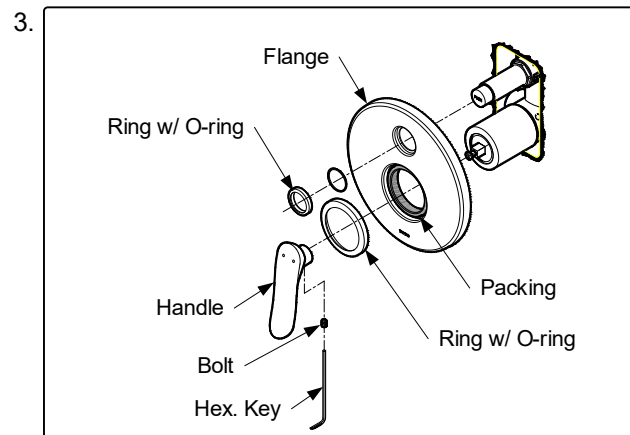
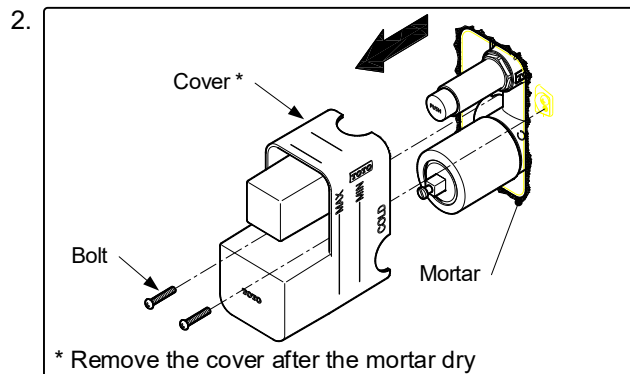
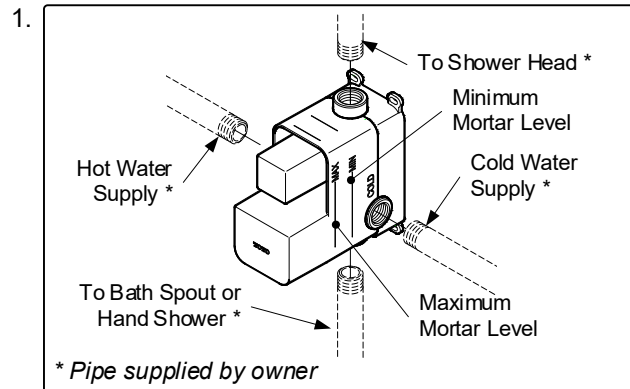
Recommended Pressure	
For Bath Spout and Fixed Shower	0.1 ~ 0.4 MPa.
For Hand Shower and Fixed Shower	0.05 ~ 0.25 MPa.

2. Ensure that water supply is clean (No Sand, Dirt, Etc.)

ATTENTION

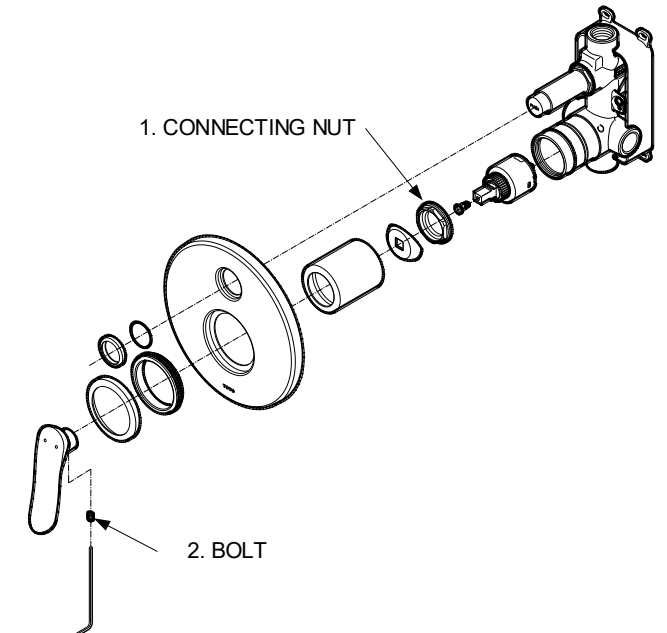
1. Don't use abrasive cleaners or solvents on faucets and fittings.
2. As the product model is constantly updated, the actual product may not look the same as it shown in the diagram, but the basic installation principles are the same.
3. When lifting, pressing the switching valve, the recommended ideal service is below 0.4 Mpa; When exceeding 0.4 Mpa, the operating force in lifting, pressing the switching valve will increase. It is suggested to turn down flow or close the cartridge. After adjusting the switching valve to the required position, turn up the flow again or open the cartridge for operation.

INSTALLATION



TROUBLESHOOTING

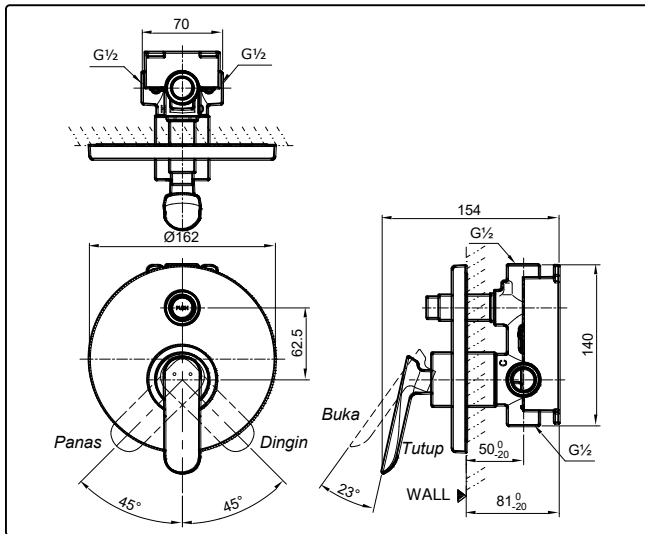
PROBLEM	CHECK POINT	SOLUTION
Water leaks around the handle	1	Tighten
Handle is loose	2	Tighten



MAINTENANCE

All Finishes : Clean the finish with mild soap and warm water. Wipe entire surface completely dry with clean soft cloth. Many cleaners may contain chemicals, such as ammonia, chlorine, toilet cleaner etc. which could adversely affect the finish and are not recommended for cleaning

SPESIFIKASI



KONDISI OPERASIONAL

1. Tekanan sumber air: 0.05 ~ 0.75 MPa.

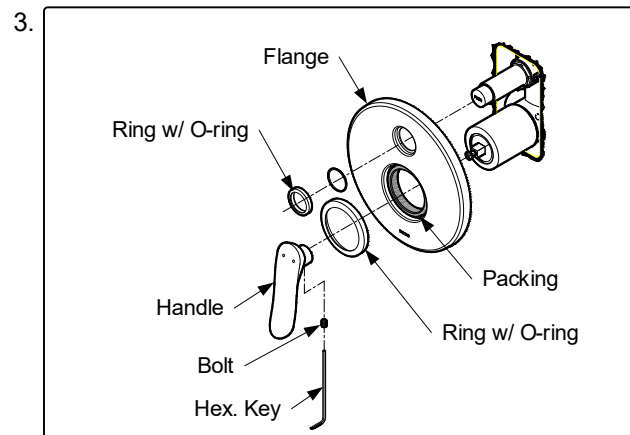
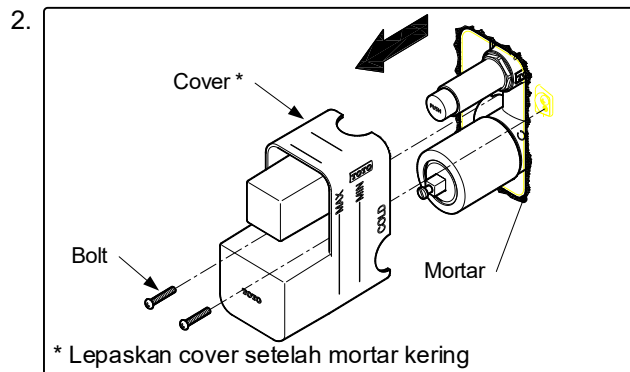
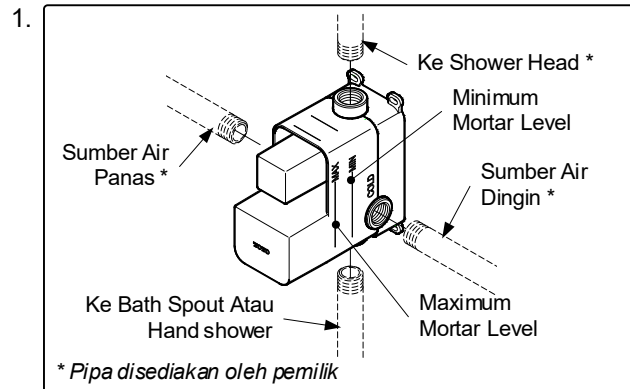
Tekanan yang disarankan	
Untuk Bath Spout dan Fixed Shower	0.1 ~ 0.4 MPa.
Untuk Hand Shower dan Fixed Shower	0.05 ~ 0.25 MPa.

2. Pastikan kondisi sumber air adalah bersih (tidak ada pasir, kotoran dan lain lain)

PERHATIAN

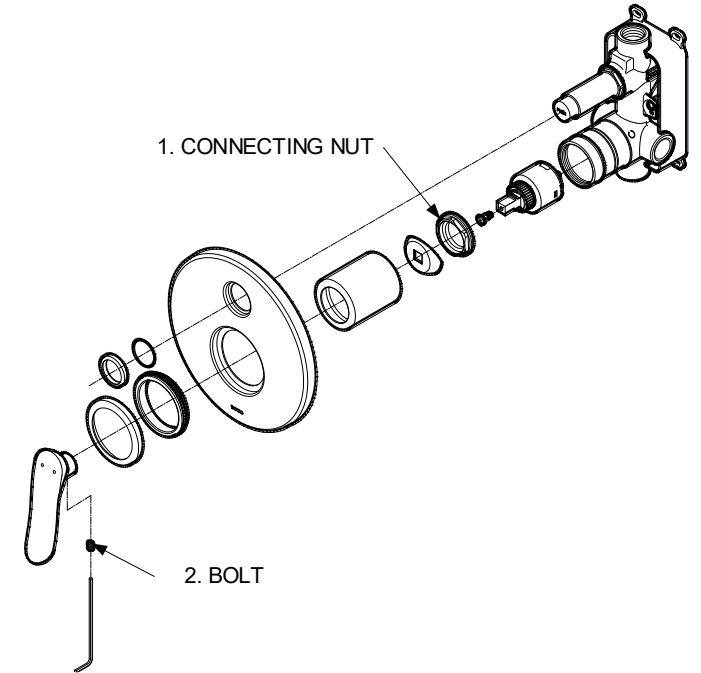
1. Jangan gunakan pembersih atau pelarut abrasif pada faucet dan fitting.
2. Karena model produk terus mengalami pembaharuan, aktual produk mungkin tidak sama dengan gambar, tapi prinsip dasar pemasangan adalah sama.
3. When lifting, pressing the switching valve, the recommended ideal service is below 0.4 MPa; When exceeding 0.4 MPa, the operating force in lifting, pressing the switching valve will increase. It is suggested to turn down the flow or close the cartridge. After adjusting the switching valve to the required position, turn up the flow again or open the cartridge for operation.

PEMASANGAN



PENYELESAIAN MASALAH

MASALAH	POIN PERIKSA	SOLUSI
Air bocor di sekitar handle	1	Kencangkan
Handle longgar	2	Kencangkan



PEMELIHARAAN

Seluruh lapisan : Bersihkan lapisan akhir dengan sabun lembut dan air hangat. Lap seluruh permukaan hingga benar-benar kering dengan kain lembut yang bersih. Kebanyakan bahan pembersih mungkin mengandung bahan kimia, seperti amonia, klorin, pembersih toilet, dll. yang dapat mempengaruhi hasil akhir dan tidak disarankan untuk membersihkan