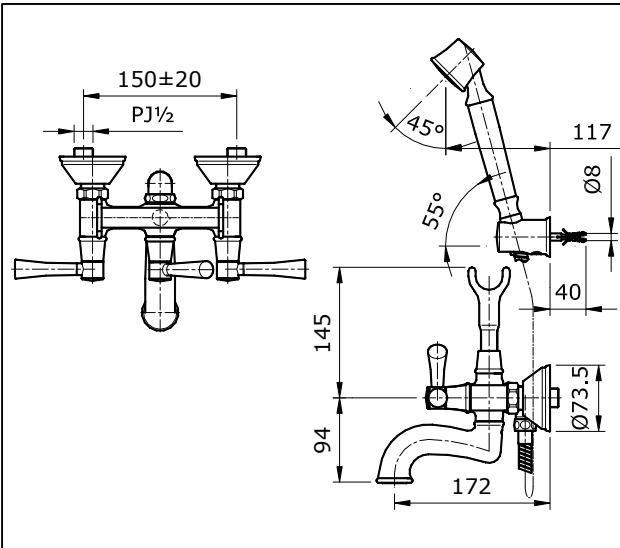


### SPECIFICATIONS



### OPERATING CONDITIONS

1. Water supply pressure : 0.05 ~ 0.75 MPa
2. Ensure that water supply is clean ( No Sand, Dirt, Etc.).

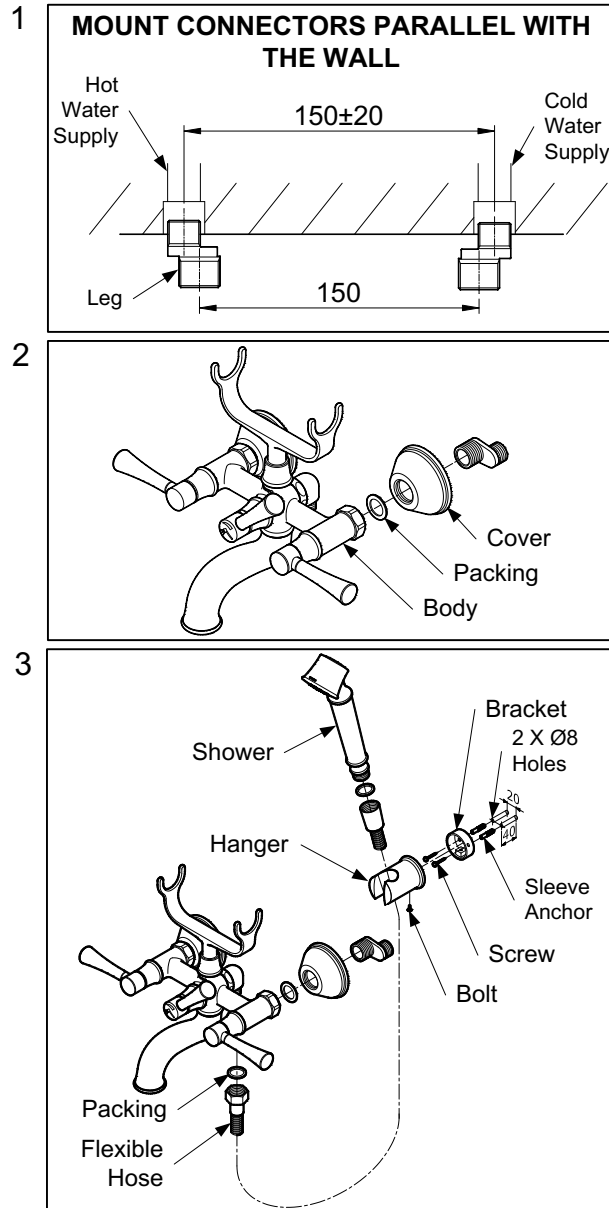
### MAINTENANCE

Always wipe chrome plated area with dry soft cloth, and sometimes wipe it with cloth soaked in mild soap.

### ATTENTION

1. Use of abrasive cleaning material such as; detergents containing hydrochloric acids, thinner, polishing powder, and nylon brush is not recommended.
2. Flow Regulator should not be remove because it could damage the system

### INSTALLATION



### TROUBLESHOOTING

PROBLEM	CHECK POINT	SOLUTION
Flow rate unsatisfactory	1	Remove and clean
Water leaks around the body	2	Tighten
Handle is loose	3	Tighten

